








# EOS Extraoral Suction System



# Remove High Volume Of Droplets & Aerosols Produced During Dental Practice

Droplets	Aerosols	Virus	Blood	Dust
				

## • Before use

- In practice, high-speed handpieces and ultrasonic scalers produce a large number of droplets and aerosols, which make surgery and practitioners extremely vulnerable to infection.



## • After use

- ADS Extraoral Dental Suction System removes the Droplets and Aerosols effectively, highly reduce the infection risk, keep clean air for the surgery .



## • Superior Suction Power

- **The Heart of the System:** Engineering and design determined a reliable American-made motor, which has the advantages of long life, low noise, and negative voltage, which is ten times the suction of the central negative voltage.



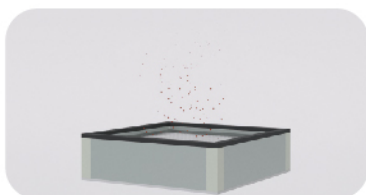
## • Aerodynamically Designed

- **Rear Exhaust Design:** The minimum degree of noise reduction can ensure the comfort of patients and staff. Ensure clean bacteria and virus-free dry exhaust.



## • Medical Grade Filtration System

- **H-14 Hepa Filtration System:** The 3 layer HEPA filtration system, stops virus and bacteria >0.3 microns with a 99.995% efficiency.
- **Precision Water Vaporization Filtering:** Make sure to dry immediately in the cabinet base and release clean dry air.
- **Medical Grade UV-C Light Disinfectant System:** The UV-C lamp used in conjunction with the H-14 Hepa filter can capture and kill bacteria, germs and viruses.



## • Intelligent Digitized Software Technology

- **Precision Control System:** The digital display can read 10 different levels of suction.
- **Monitoring of Filter Life:** The digital monitoring system shows the expected life of the Hepa filter.



# EOS Extraoral Suction System Technical Specifications



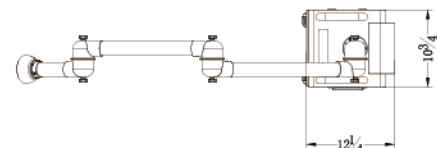
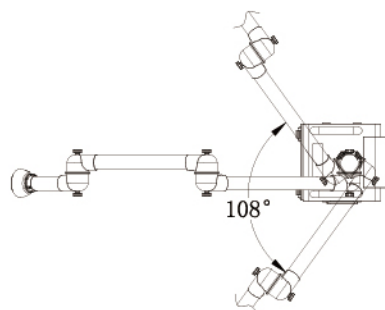
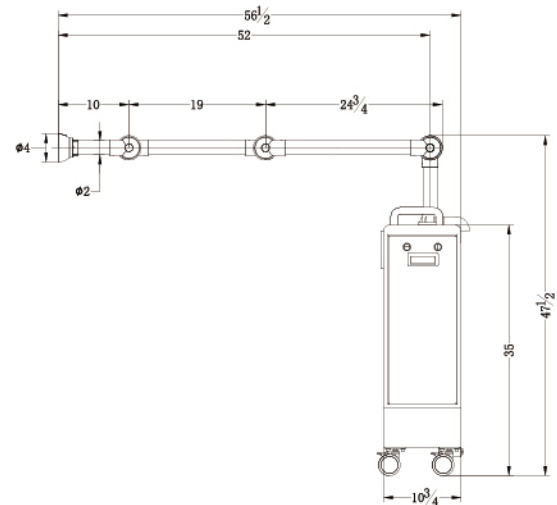
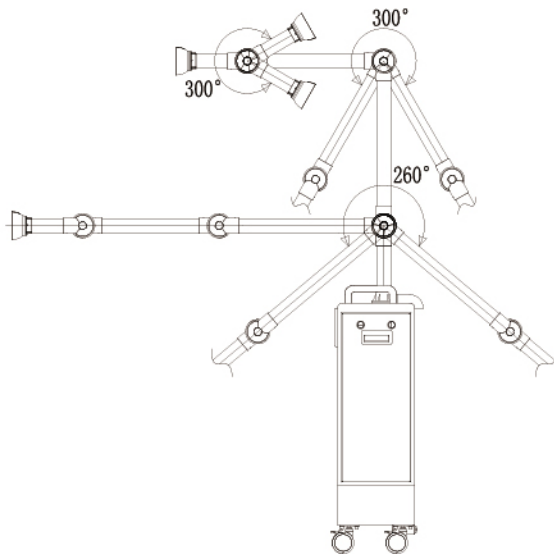
EOS Technical Specifications			
<b>Model</b>	EOS Extraoral Suction System		
<b>Voltage</b>	AC110V 60Hz	<b>Electric current</b>	12-20A
<b>Power</b>	1160W	<b>Fuse wire</b>	20A 250V
<b>Flow</b>	105CFM	<b>Suction Power</b>	23KPa (10 Different Levels)
<b>Fine Filter</b>	F8	Average Efficiency (EM) for 0.4MM particles (%),90<EM<95 Minimum efficiency* for 0.4MM particles (%),55 ( F8 matches European standard EN 779:2012 and ISO16890)	
<b>HEPA Filter Level</b>	H14	H14, blocking virus and germs ≥0.3µm with 99.995% filtration efficiency (H14 matches European standard EN 1822:2009, ISO16890 and DOE-STD-3020-2015 Specification for HEPA Filters Used by DOE Contractors)	
<b>Noise Decibel</b>	58dB ( Tested under laboratory environment and 6-8Inch distance from the suction mouth piece hood)		
<b>Suction Arm Caliber</b>	Φ2"		
<b>Size (millimeter )</b>	275*275*980mm		275*275*980mm

UV Light Specifications			
<b>Type</b>	UVC	<b>Lamp Tube Length</b>	5.3"
<b>Lamp Tube Caliber</b>	0.6"	<b>Lamp Cap Caliber</b>	0.7"
<b>Wave Length</b>	254nm	<b>Glass Tube</b>	Ozone-free quartz glass
<b>Power(W)</b>	4W	<b>Voltage ( V)</b>	30±15%
<b>Electricity ( mA)</b>	145±15%	<b>Radiation Intensity (µW/cm2)</b>	≥8 @39.4"
<b>Steady time ( min)</b>	5	<b>Average Lifetime (h)</b>	> 8000 (Continuous use)
<b>Lamp Cap</b>	G5 Aluminum head	<b>Wire Material</b>	Molybdenum Wire
<b>Gas-filling</b>	Pure Argon	<b>Mercury</b>	Pure Liquid Mercury<15mg

Packing Specifications		
	<b>Suction arm</b>	<b>Case</b>
<b>Packing Size</b>	27.2*10.2*9 inch	14.0*14.2*39.4 inch
<b>Net Weight</b>	2.8 lbs	94.2lbs
<b>Gross Weight</b>	5 lbs	98.6lbs

## Dimensions

Unit:inch





# ADS Dental System Inc.

Technical support: 800 488 9708

Add: 1590 S Milliken Ave., unit A, Ontario, CA 91761

Tel: (626) 620 0456

[www.adsdental.com](http://www.adsdental.com)

[sales@adsequip.com](mailto:sales@adsequip.com)

